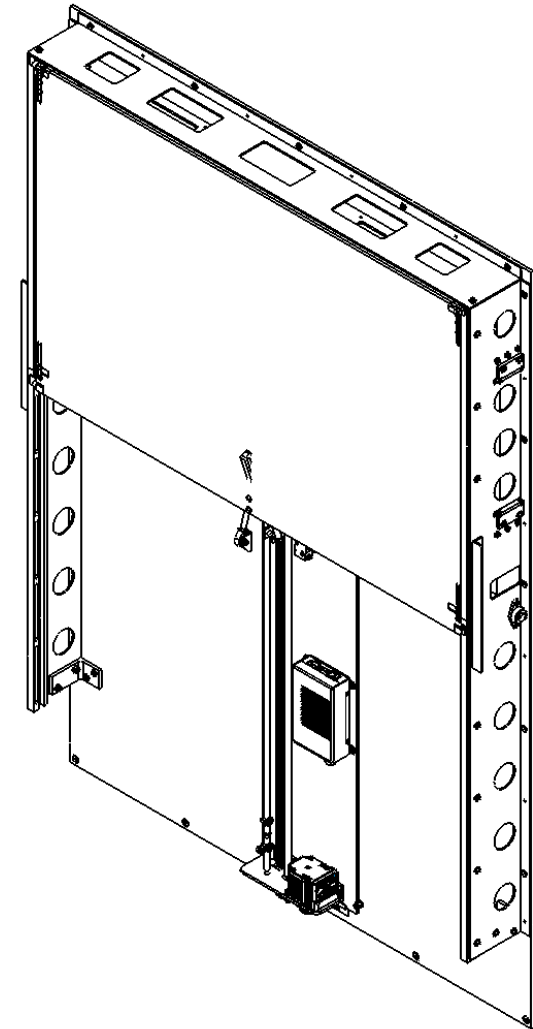



1	1	4	3528601-1	MONITOR BRACKET ASSEMBLY	
1	1	3	3528385-1	PICTURE PANEL ASM	
1	1	2	3528376-1	MOTOR PANEL ASM	
1	1	1	3528375-1	BASE PANEL ASM - 42 INCH	
-3/QTY	-1/QTY	ITEM	PART NUMBER	Description	SPEC

REV.	DATE	DESCRIPTION
A	5/11/08	UPDATED TO SOLIDWORKS
B	5/26/09	-3 CONFIGURATION ADDED



UNLESS OTHERWISE SPECIFIED DIMENSIONS ARE IN INCHES			DRAWN BY J CILEO	DATE 05/11/08	 STEECON ENTERPRISES 5362 INDUSTRIAL DRIVE HUNTINGTON BEACH, CA 92649
TOLERANCES ON DECIMALS ANGLES			CHECKED BY M HANSON	DATE 05/11/08	
.0 ± .1	MACH.	FORMED	APPROVED M HANSON	DATE 05/11/08	
.00 ± .01	±0°30'	±2°			
.000 ± .005					TITLE ARTWORK MECHANISM ASM
DO NOT SCALE PRINT BREAK ALL SHARP EDGES					DRAWING NUMBER 3527-005
ODD DASH NO'S SHOWN NEXT HIGHER CONSECUTIVE EVEN DASH NUMBER OPPOSITE				SIZE A	SCALE 1:13
					SHEET NO. 1 OF 3

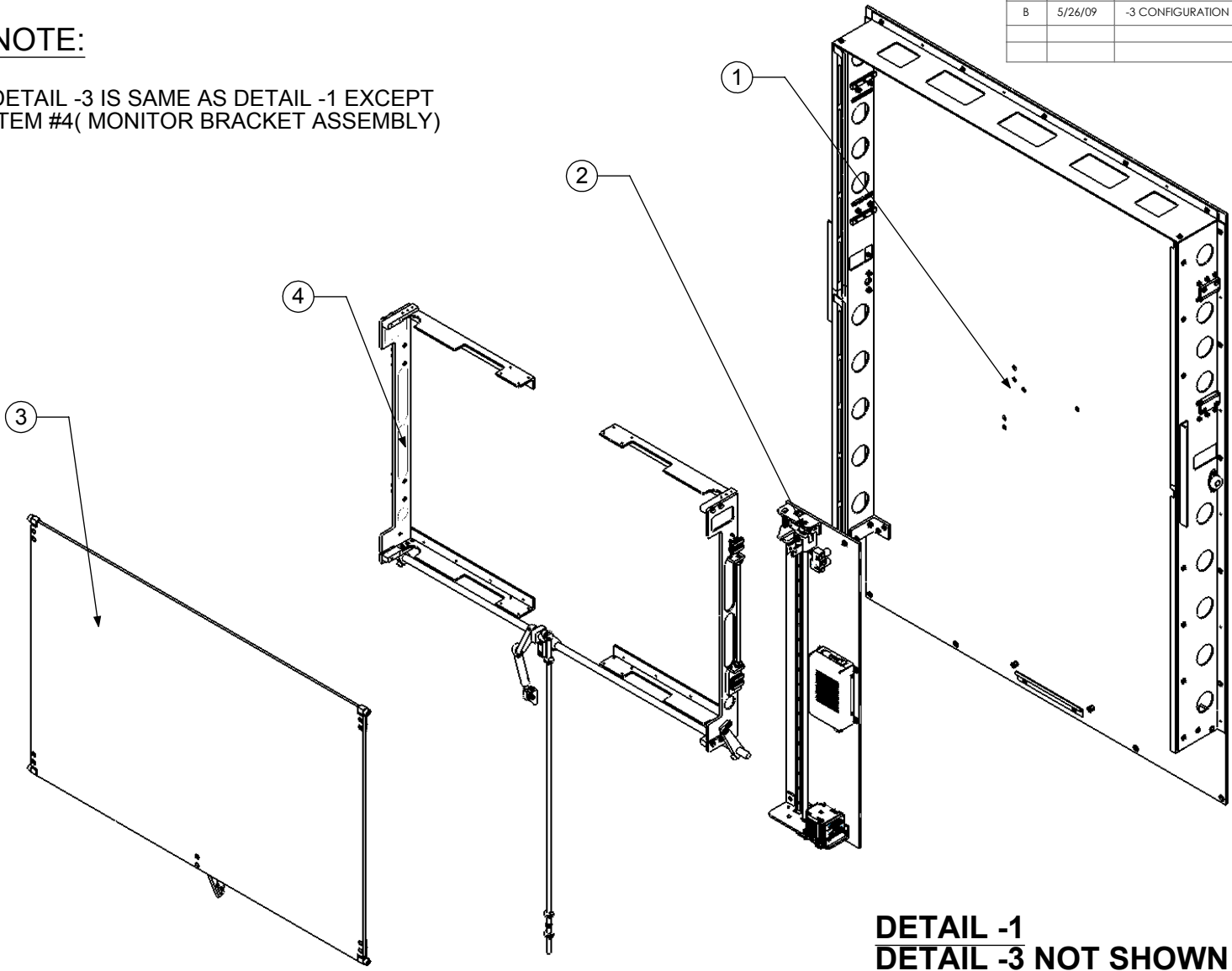
STEECON CORPORATION PROPRIETARY RIGHTS ARE INCLUDED IN THE INFORMATION DISCLOSED HEREIN. RECIPIENT BY ACCEPTING THIS DOCUMENT AGREES THAT NEITHER THIS DOCUMENT NOR THE INFORMATION DISCLOSED HEREIN NOR ANY PART THEREOF SHALL BE REPRODUCED OR TRANSFERRED TO OTHER DOCUMENTS OR USED OR DISCLOSED TO OTHERS FOR MANUFACTURING OR FOR ANY OTHER PURPOSE EXCEPT AS SPECIFICALLY AUTHORIZED IN WRITING BY STEECON CORPORATION.

8 7 6 5 4 3 2 1

REV.	DATE	DESCRIPTION
A	5/11/08	UPDATED TO SOLIDWORKS
B	5/26/09	-3 CONFIGURATION ADDED

NOTE:

DETAIL -3 IS SAME AS DETAIL -1 EXCEPT ITEM #4(MONITOR BRACKET ASSEMBLY)



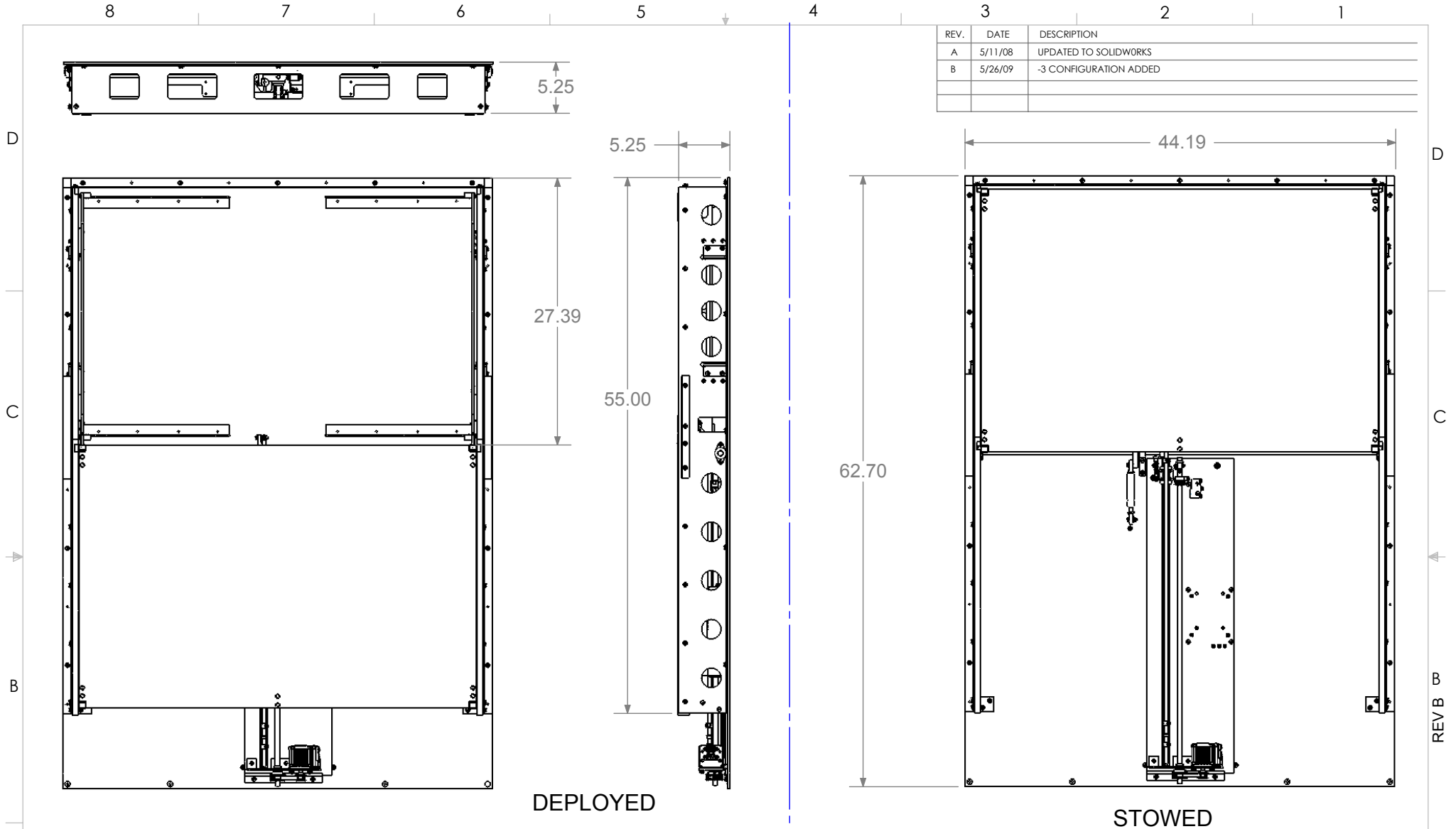
DETAIL -1
DETAIL -3 NOT SHOWN

UNLESS OTHERWISE SPECIFIED DIMENSIONS ARE IN INCHES			DRAWN BY J CILEO		DATE 05/11/08		 5362 INDUSTRIAL DRIVE HUNTINGTON BEACH, CA 92649 TITLE ARTWORK MECHANISM ASM
TOLERANCES ON DECIMALS			CHECKED BY M HANSON		DATE 05/11/08		
ANGLES			APPROVED M HANSON		DATE 05/11/08		
.0 ± .1	MACH.	FORMED					
.00 ± .01	±0°30'	±2°					
.000 ± .005							
DO NOT SCALE PRINT BREAK ALL SHARP EDGES							
ODD DASH NO'S SHOWN NEXT HIGHER CONSECUTIVE EVEN DASH NUMBER OPPOSITE					SIZE A		SCALE 1:14
					DRAWING NUMBER 3527-005		SHEET NO. 2 OF 3

STEECON CORPORATION PROPRIETARY RIGHTS ARE INCLUDED IN THE INFORMATION DISCLOSED HEREIN. RECIPIENT BY ACCEPTING THIS DOCUMENT AGREES THAT NEITHER THIS DOCUMENT NOR THE INFORMATION DISCLOSED HEREIN NOR ANY PART THEREOF SHALL BE REPRODUCED OR TRANSFERRED TO OTHER DOCUMENTS OR USED OR DISCLOSED TO OTHERS FOR MANUFACTURING OR FOR ANY OTHER PURPOSE EXCEPT AS SPECIFICALLY AUTHORIZED IN WRITING BY STEECON CORPORATION.

8 7 6 5 4 3 2 1

D
C
B
A
REV B
FILE:3527-005 artwork panel asm 42



DETAIL -1
 DETAIL -3, SAME DIMENSIONS, NOT SHOWN

UNLESS OTHERWISE SPECIFIED DIMENSIONS ARE IN INCHES			DRAWN BY J CILEO		DATE 05/11/08
TOLERANCES ON DECIMALS			CHECKED BY M HANSON		DATE 05/11/08
ANGLES			APPROVED M HANSON		DATE 05/11/08
.0 ± .1	MACH.	FORMED			
.00 ± .01	±0°30'	±2°			
.000 ± .005					
DO NOT SCALE PRINT BREAK ALL SHARP EDGES			SIZE A		SCALE 1:14
ODD DASH NO'S SHOWN NEXT HIGHER CONSECUTIVE EVEN DASH NUMBER OPPOSITE			DRAWING NUMBER 3527-005		SHEET NO. 3 OF 3

STEECON CORPORATION PROPRIETARY RIGHTS ARE INCLUDED IN THE INFORMATION DISCLOSED HEREIN. RECIPIENT BY ACCEPTING THIS DOCUMENT AGREES THAT NEITHER THIS DOCUMENT NOR THE INFORMATION DISCLOSED HEREIN NOR ANY PART THEREOF SHALL BE REPRODUCED OR TRANSFERRED TO OTHER DOCUMENTS OR USED OR DISCLOSED TO OTHERS FOR MANUFACTURING OR FOR ANY OTHER PURPOSE EXCEPT AS SPECIFICALLY AUTHORIZED IN WRITING BY STEECON CORPORATION.

STEECON
 ENTERPRISES
 5362 INDUSTRIAL DRIVE
 HUNTINGTON BEACH, CA 92649

TITLE **ARTWORK MECHANISM
 ASM**